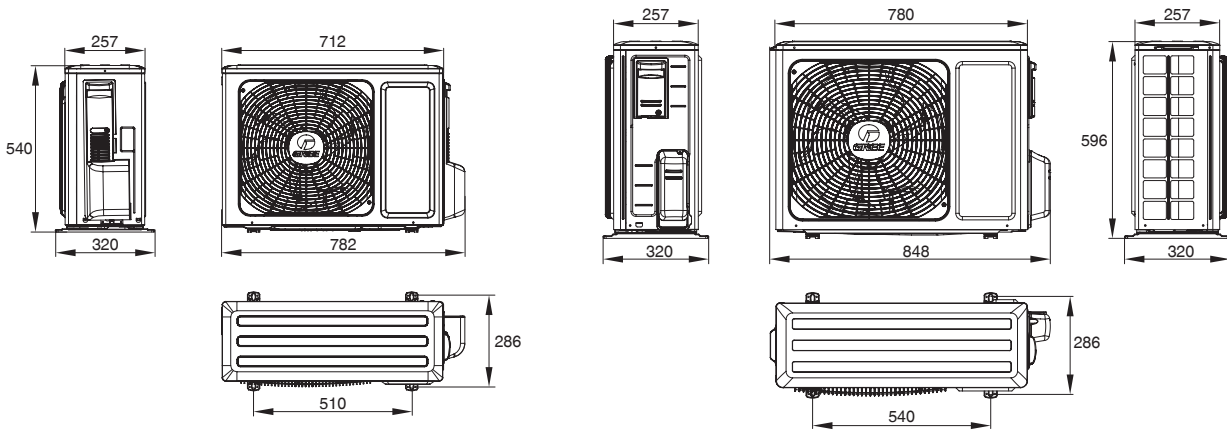
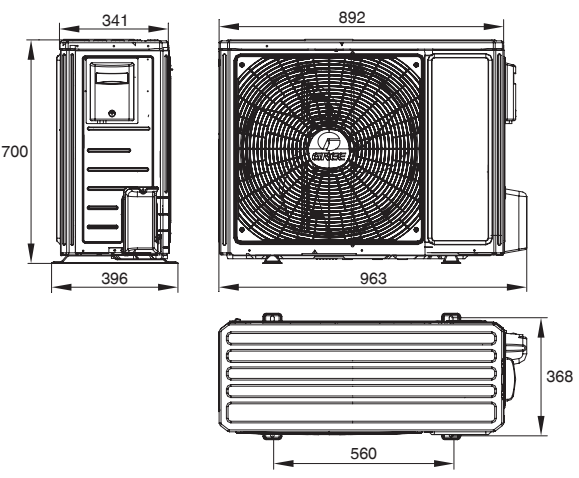


■ GEH09AA-K6DNA1A/I - GEH18AA-K6DNA1F/I



■ GEH09AA-K6DNA1A/O

■ GEH12AA-K6DNA1F/O



■ GEH18AA-K6DNA1F/O