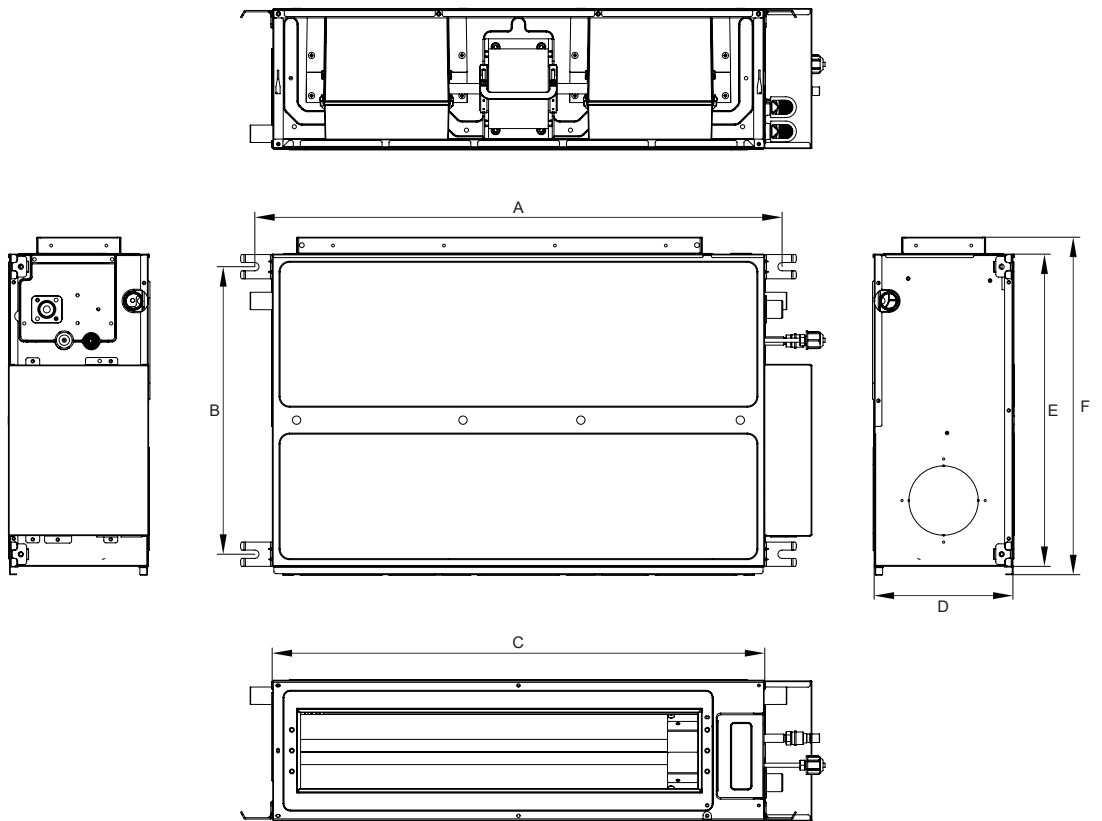


■ GFH(09)EA-K6DNA1B/I - GFH(24)EA-K6DNA1B/I



■ GFH(09)CA-K6DNA1C/I - GFH(24)CC-K6DNA1C/I