

RKA duct fans represent a technically perfect solution, uniting the advantages of axial fans straight airflow and easy installation with high pressure stability, low noise level and high efficiency of the radial fans.

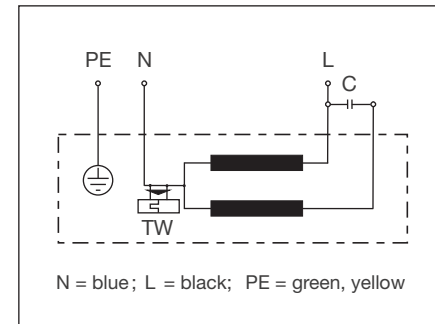
Dimensions

Type	l ₁ [mm]	l ₂ [mm]	l ₃ [mm]	l ₄ [mm]	l ₅ [mm]	ØD [mm]	Ød ₁ [mm]	Ød ₂ [mm]
RKA 100	247	30	30	101	18	288	251	99
RKA 100L	247	30	30	101	18	288	251	99
RKA 125	247	30	30	101	18	288	251	124
RKA 125L	247	30	30	101	18	288	251	124
RKA 160	230	30	30	84	18	379	340	159
RKA 160L	230	30	30	84	18	379	340	159
RKA 200	230	30	30	84	18	379	340	199
RKA 200L	260	30	30	84	18	379	340	199
RKA 200LX	260	30	30	84	18	379	340	199
RKA 250	230	30	30	84	18	379	340	249
RKA 250L	260	30	30	84	18	379	340	249
RKA 250LX	260	30	30	84	18	379	340	249
RKA 315	275	30	30	106	18	452	404	314
RKA 315L	275	30	30	106	18	452	404	314

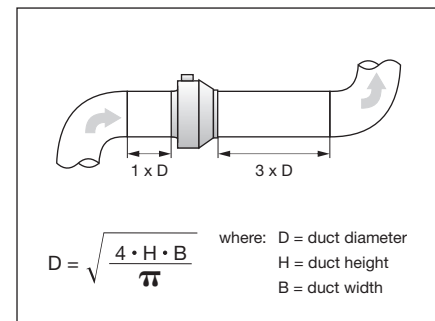
Technical data

Type	P ₁ [W]	I [A]	n [min ⁻¹]	C _{400V} [µF]	t _r [°C]	Weight [kg]	dB(A)	△
RKA 100	24	0,11	2500	1.0	45	1.95	35	IP44
RKA 100L	58	0,26	2500	2.0	50	1.95	39	IP44
RKA 125	24	0,11	2500	1.0	45	2.05	39	IP44
RKA 125L	58	0,26	2350	2.0	50	2.05	44	IP44
RKA 160	58	0,26	2400	2.0	50	3.25	44	IP44
RKA 160L	85	0,38	2400	3.0	40	3.8	53	IP44
RKA 200	85	0,38	2500	3.0	40	3.8	51	IP44
RKA 200L	130	0,57	2550	4.0	50	4.4	52	IP44
RKA 200LX	155	0,7	2450	5.0	50	5.4	53	IP44
RKA 250	85	0,38	2500	3.0	40	3.8	44	IP44
RKA 250L	130	0,51	2550	4.0	50	4.4	47	IP44
RKA 250LX	155	0,7	2450	5.0	50	5.4	50	IP44
RKA 315	155	0,7	2450	5.0	50	5.4	48	IP44
RKA 315L	255	1,0	2350	7.0	40	6.8	50	IP44

Electrical connections



Duct installation



Installation

Fitting a straight duct section onto the inlet and outlet of the fan will prevent pressure drop and reduce the system efficiency losses caused by turbulent air flow. The straight section must be at least 1x D ('D' = duct diameter) on the fan's inlet and 3 x D on the fan's outlet side (see "Duct installation" figure). Rigid folded spiral-seam, flexible aluminium or plastic ducts with standardized dimensions can be used with respect to local norms and regulations.

Safety Notes

- RKA Tube Fans are not finished machines, but part of a system. Thus, the systems installer carries the responsibility that all relevant safety regulations regarding electrical connections and contact protection are complied to.
- Special care should be taken regarding contact protection (protection guard or sufficient length of ducting).
- Wiring and service should be carried out only by **qualified electricians**.
- **Before carrying out any installation or service isolate unit from the mains supply.**

Mounting

- RKA Tube Fans can be mounted in any position.
- They can be plugged directly into the duct and fastened, make sure the ducting system is not deformed or twisted.
- For mounting we recommend lined fast clamps that reduces noise carry-over into the ducting system.

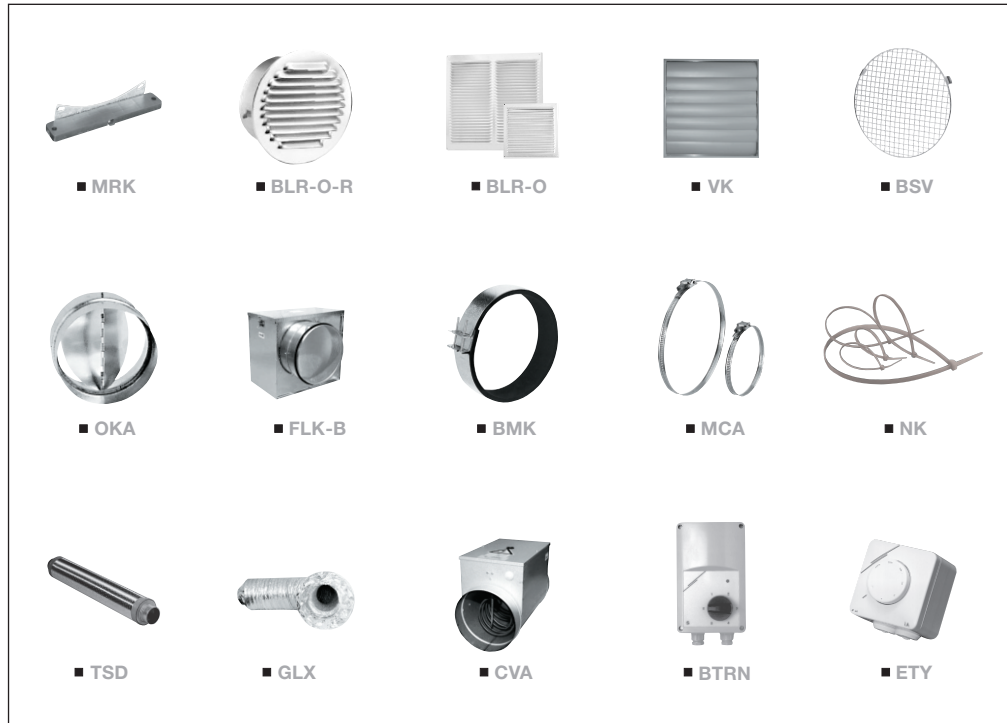
Operating Conditions

- Do not operate fans in potentially explosive atmosphere.
- Do not operate fans with a frequency converter.
- Pay attention on the maximum ambient temperature on nameplate.

Maintenance

- RKA Tube Fans with exception of recommended cleaning intervals are maintenance free.
- Deposits from dust laden air will in time accumulate on the impeller and housing. This leads to lower performance, unbalance in the unit, and reduced lifespan. We therefore recommend that an air filter be installed.
- Under no circumstances should the interior space be cleaned with water or high pressure cleaner (steam jet cleaner).
- Through installation of an air filter the cleaning interval can be considerably extended or avoided.

Accessories



- Protection grilles **BSV**
- Back draft dampers **OKA**
- External louvres **BLR-O,**
BLR-O-R
- Louvre shutters **VK**
- Silencers **TSD, GLX**
- Console **MRK**
- Steel clamps **MCA**
- Fast mounting collars **BMK**
- Fast nylon clamps **NK**
- Transformer speed controllers
BTRN
- Thyristor 5-speed controllers
ETY 2.5
- Filters **FLK-B**
- Duct heaters **CVA**

RKA Plastic duct fans

